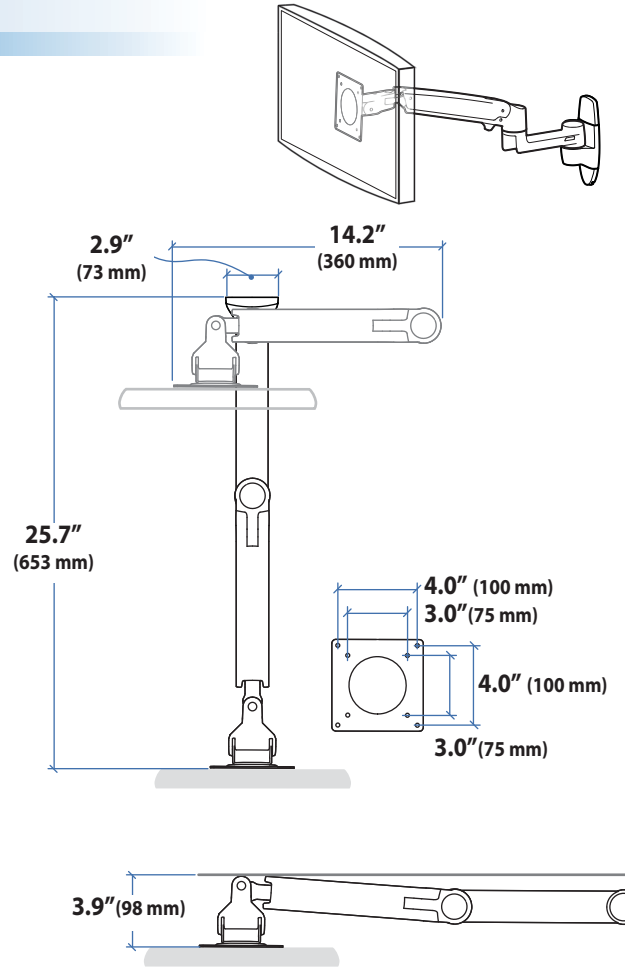
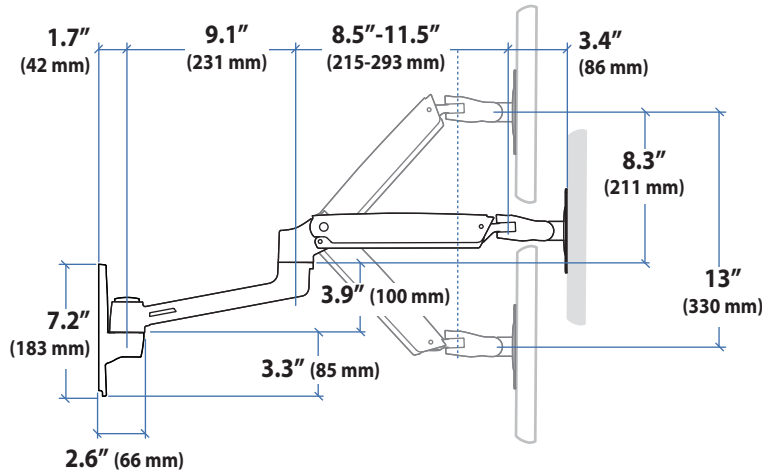


# Ergotron® LX

## Dimensional & Range of Motion Illustrations

### Wall Mount LCD Arm

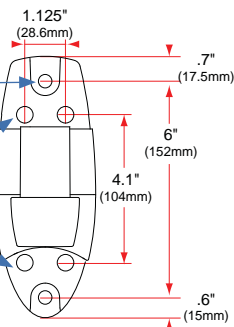
#### Dimensions



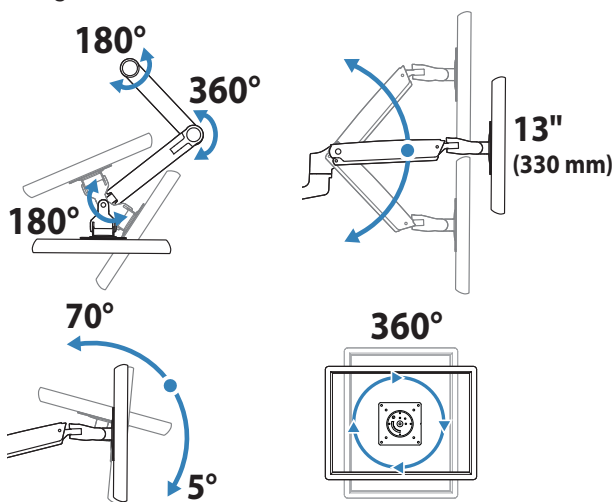
#### Wall Mount Bracket

Stud mounting:  
M8 x 80mm or 5/16" x 3"  
and flat washer 8mm or  
5/16" (2 places)

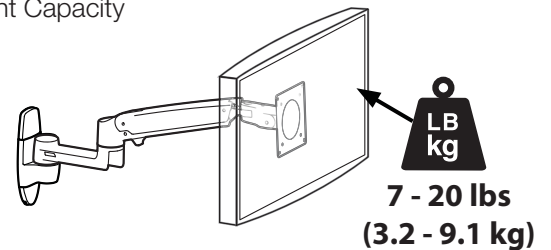
Wall Track mounting:  
Button head cap screw  
#10-24 x 5/8" (4 places)



#### Range of Motion



#### Weight Capacity



Monitor depth greater than 2.5" (64 mm) may diminish capacity.  
Call Ergotron for more information.

© 2011 Ergotron, Inc. rev. 09/07/2011 DIM-LXWM Content is subject to change without notification

#### Americas Sales and Corporate Headquarters

St. Paul, MN USA  
(800) 888-8458  
+1-651-681-7600  
www.ergotron.com  
sales@ergotron.com

#### EMEA Sales

Amersfoort, The Netherlands  
+31 33 45 45 600  
www.ergotron.com  
info.eu@ergotron.com

#### APAC Sale

Tokyo, Japan  
www.ergotron.com  
apaccustomerservice@ergotron.com

#### Worldwide OEM Sales

www.ergotron.com  
info.oem@ergotron.com

